

Allion USB Battery Charging Test Fixture

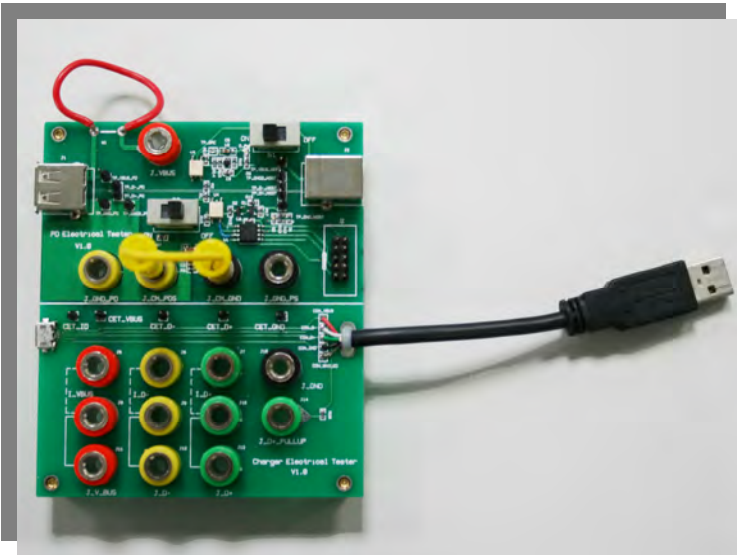
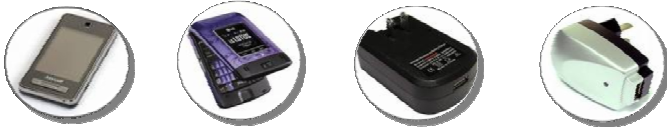
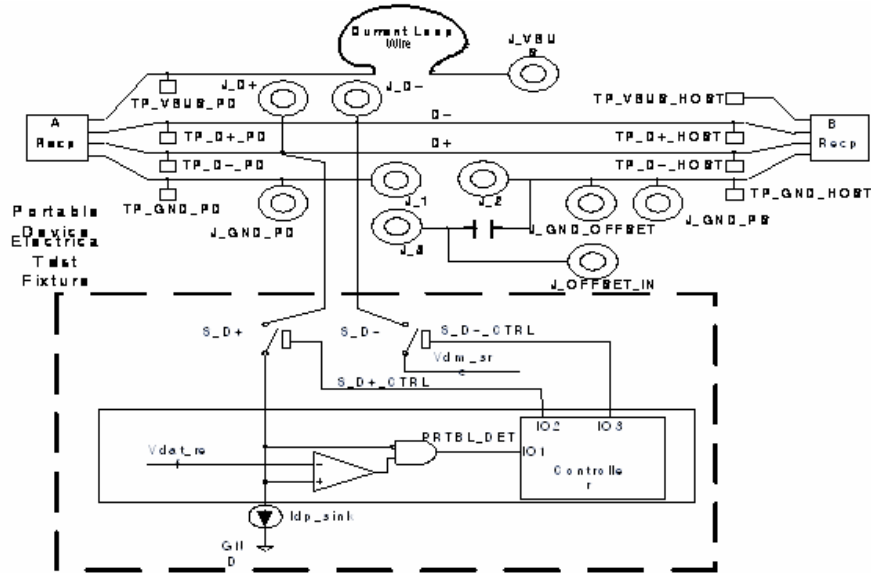
“Are you ready to test your USB Charging Products?”

USB battery charger brings

More current (1.5A),

More Simple!

More Green!



Portable Device Electrical Tester

Product Features

- Easily Measure the performance of mobile phone device charger including Power Consumption, Over Shoot, Under Shoot and Short-recover time.
- Developed according to the version 1.1 Battery Charging Specification defined by the USB-IF.

**CONTACT US TODAY
FOR DETAILS**